

Part Code: KP-800

Introduction

The KP-800 is a standalone Access Control system, with integral proximity card reader & keypad. It can be configured so users can gain access with Card, PIN or, for a higher level of security, card AND PIN (called two factor authentication).

The product supports up to 999 Users, making it ideal for Access Control applications. A second relay is also provided to set/unset an intruder alarm system, or for a second door.



PLEASE NOTE:

- Request to Exit (REX) buttons **MUST** have **NORMALLY OPEN** voltage free contacts.
- The lock **MUST** have a Metal Oxide Varistor (MOV) fitted across the coil to suppress Back-EMF. Failure to do so will void warranty. 2 MOVs are supplied in the spares pack.
- The KP-800 can be powered from an AC or DC source. Please ensure that Magnetic locks etc. are compatible with the type of power supply being used.
- Relay 2 only supports 9 Users, and is not as configurable as Relay 1. Relay 2 is commonly used for setting and unsetting an intruder alarm system, or control of a second door where the limitations are sufficient.
- Three consecutive incorrect codes will lock out the keypad for 60 seconds

Technical Specifications

- Input Power Supply = 12V-24VAC/DC
- Current Draw = 60mA@12VDC, 45mA@24VDC
- Relay Rating 2A/30VDC ; 1A/120VAC
- Operating Frequency 125 KHz
- 2 inputs for Request to Exit buttons + 1 input for door contact
- 2 relay outputs (voltage free changeover contacts)
- User Memory: 999 (Relay 1) + 9 (Relay 2) proximity cards / fobs / PINs
- Operating Temperature: -10°C to +60°C
- Ambient Humidity: 5%~95% (non-condensing) IP55
- Read Range: Up to 50mm (in a noise free environment)

Installing the KP-800

Step 1 — Mount the KP-800

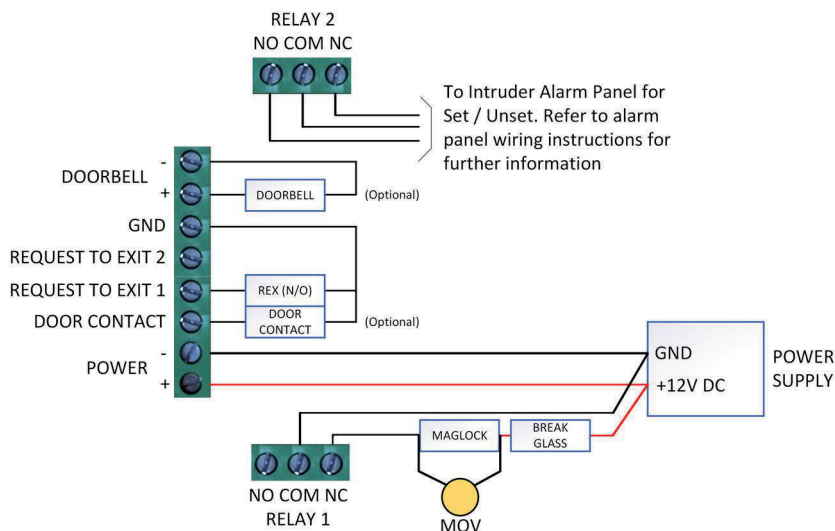
To aid installation, 4 screws and wall plugs are provided in the spares pack supplied with this product.

- Using the backplate as a template, drill 4 holes and fit the 4 wall plugs supplied (if required).
- Drill a 5th hole aligned with the centre hole in the base for the wiring.
- Mount the backplate with the screws supplied.
- Feed the cable through the cable entry hole and connect to the terminal blocks
- Re-fit the cover to the backplate using the Allen key.

2 Wiring the KP-800

Step 2 — Wiring

The KP-800 has 2 relay outputs (Relay 1 and Relay 2) each with voltage free changeover contacts. Each relay has an associated pushbutton input for a Request to Exit (REX) button, which must be switched to 0V when the REX is pressed.



NOTE: A MOV **MUST** be fitted across any inductive load connected to the KP-800

Step 3 — Configuring the KP-800 — Essential Programming

Programming mode

Programming Mode is used to configure the system. Enter the Master Code twice in succession (or present a Master Card) and the right LED will change to Yellow to indicate that the system is in Programming Mode.

To exit Programming Mode, press # # and the right LED will change to Green.

The controller will automatically exit Programming Mode after 2.5 minutes of inactivity.

NOTE: To speed up programming, it is possible to enter Programming Mode and make several changes without having to exit Programming Mode.

Set the Door Release Time (Default = 1 second)

The Door Release Time can be set separately for relays 1 and 2, from 01 to 99 seconds. Setting the Door Release Time to 00 will select Latched mode (i.e. present card once to unlock door, present card again to lock door).

- While the system is in programming mode, press ★ 1 to adjust the duration for Relay 1 or ★ 5 for Relay 2 (the right LED will now flash Yellow)
- Enter the Door Release Time between 00 and 99 (beeps once, yellow LED remains solid)
- Press # # to return to the normal standby condition.

Change the Master Code (Default = 1234)

NOTE: To avoid compromising the security of the installation you MUST change the default master code to a code specific to this site

- While in programming mode, press ★ 3 (the right LED will flash Yellow)
- Enter the new master code twice e.g. 7034 7034 (the controller beeps once, the right LED will change to solid yellow)
- Press # # to return to the normal standby condition

REMEMBER TO USE THE NEW MASTER CODE TO ENTER PROGRAMMING MODE.

Enrol Users for Relay 1

Depending on the Access Mode selected, you may enrol a card AND/OR a PIN for each user.

- While the system is in programming mode
- Select a User number between 000 and 999 (yellow LED on the right flashes)
 - If the user number is available the left LED is solid green.
 - If the user number is unavailable the left LED turns solid red. Press #, then select a new user number between 000 and 999.
- It is then possible to learn in the new details as follows:
 - Proximity card only: Present a new card
 - Proximity card OR PIN: Present a new card OR enter a new PIN
 - Proximity card AND PIN: Present a new card AND enter a new PIN
 - In each case, the KP-800 will beep once and the yellow LED will remain solid

Step 4 — Configuring the KP-800 – Optional Programming

Enrolling Users in Batches

Entering multiple users can be speeded up using this function:

- While the system is in Programming Mode, press ★ 901 (yellow LED on the right on solid)
- Enter the first user number (e.g. 011) followed by the last user number (e.g. 025)
- Present the 15 cards in turn. the KP-800 will beep when each card is learned in.
- Press # # to return to the normal standby condition.

Set the Access Mode (Default = Proximity OR PIN)

The KP-800 can be configured for Prox only, Prox **OR** PIN, or PIN **AND** Prox.

- While the system is in Programming Mode, press ★ 0 (yellow LED on the right flashes)
 - Press 00 for Proximity card only (used when every user has a card for access)
 - Press 01 for Proximity card OR PIN (used when some users have a card and other users have a PIN for access)
 - Press 02 for Proximity card AND PIN (used for two factor authentication when all users have a card and PIN for access)
- When the required mode has been selected, the units will beep once and the yellow LED will remain solid to indicate that the system has returned to programming mode

Doorbell function

The KP-800 can be configured to trigger The Doorbell output and Relay 2 for 3 seconds when the ★ key is pressed.

To enable Doorbell: While the system is in Programming Mode, press ★ 202

To disable Doorbell: While the system is in Programming Mode, press ★ 201

NOTE: When using the Doorbell function, cards / codes for Relay 2 no longer work.

Enrol a Master Card

If using proximity cards, a Master Card can be used enter Programming Mode:

- While the system is in Programming Mode, press ★ 7 (the right LED will flash Green)
 - Present the required card to the reader (beeps once, the right LED will turn yellow).
- It is now possible to enter Programming Mode by presenting this Master Card rather than entering the Master Code twice. It is NOT possible to open doors using the Master Card.

Enrol Users for Relay 2

Relay 2 only supports 'Proximity OR PIN' mode, and is restricted to 10 Users.

- While the system is in programming mode, press ★ 4, and select a user number between 00 and 09 (yellow LED on the right flashes)
 - If the user number is available the left LED is solid green.
 - If the user number is unavailable the left LED turns solid red. Press #, and select a new number between 00 and 09
- Present a new card OR enter a new PIN (beeps once, yellow LED remains solid)

Removing Users from Relay 1

- While the system is in programming mode
- Enter the user number to be removed (001 to 999). The left LED will turn Red and the right LED will flash Yellow
- Press ★ ★ to remove the user (The left LED = Green and the right LED will flash Yellow)
- Press # # to return to the normal standby condition

Removing Users from Relay 2

- While the system is in programming mode, press ★ 4 then enter the user number to be removed (01 to 09). The left LED will turn red and the right LED will flash Yellow
- Press ★ ★ to remove the user (left LED Green solid, right LED flashes Yellow)
- Press # # to return to the normal standby condition

Change PIN Length (Default = 4 digit) (Applies to all PINs)

IMPORTANT! Changing the PIN length will permanently delete all PINs from the KP-800 and reset the Master Code to default (1234, 12345 or 123456).

- While the system is in programming mode, press ★ 904 (beeps once, right LED = Yellow)
- Enter the required length for the Master code (i.e. 4, 5 or 6).

Reset the Master Code to default

- Turn off power, press and hold #, and power on again. The unit will emit a beep
- When the right LED shows green the # key can be released.

Remove All Users

- While the system is in Programming Mode, press ★ 888

Reset Controller to Factory Defaults

- While the system is in Programming Mode, press ★ 899



+44 (0)1451 844896



support@controlsoft.com



www.controlsoft.com

controlsoft® 

