

KP800 Quick Reference Guide

1 Installing your KP800 with default settings:

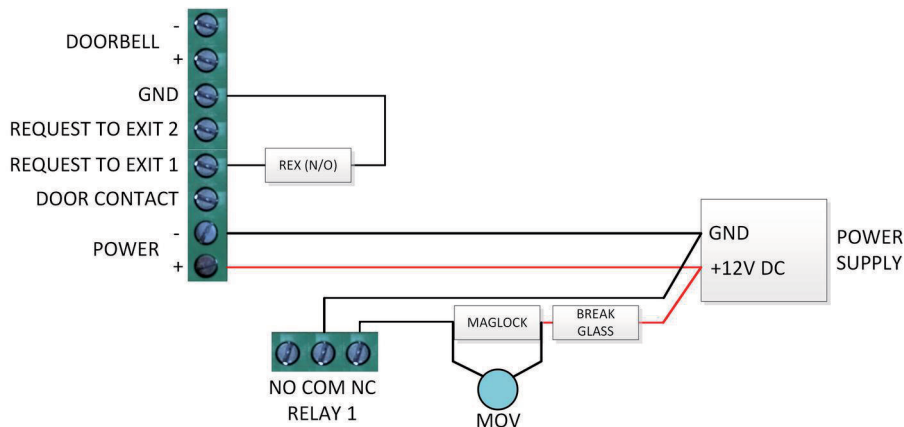
- Access Mode = Prox OR PIN
- No Master Card.
- Code length = 4 digits.
- Relay 2 not used.

2 Remove the security screw, separate the cover and base.

- Mount the base to the wall, feed the cable through the centre hole and connect to terminal blocks.
- Refit the cover to the base.

3 Connect the system as shown in the wiring diagram.

- Program the controller using the table below:



NOTE: A MOV **MUST** be fitted across any inductive load connected to the KP-800

Programming Mode	Enter Master Code (1234) twice. Yellow LED = ON
Set the Door Release Time	Enter *1 (Yellow LED flashes) followed by time 01 to 99 seconds (00 = latched) <i>Beep</i> .
Change Master Code	Enter *3 (Yellow LED flashes) followed by new code twice. <i>Beep</i>
Enrol Users for Door 1	Enter *001 followed by a User number between 000 and 999 (Yellow LED flashes) then present card or enter PIN. <i>Beep</i> . Repeat for all users
Exit Programming Mode	Enter # #

For other options, please refer to the KP800 Installation Instructions (available from www.controlsoft.com)